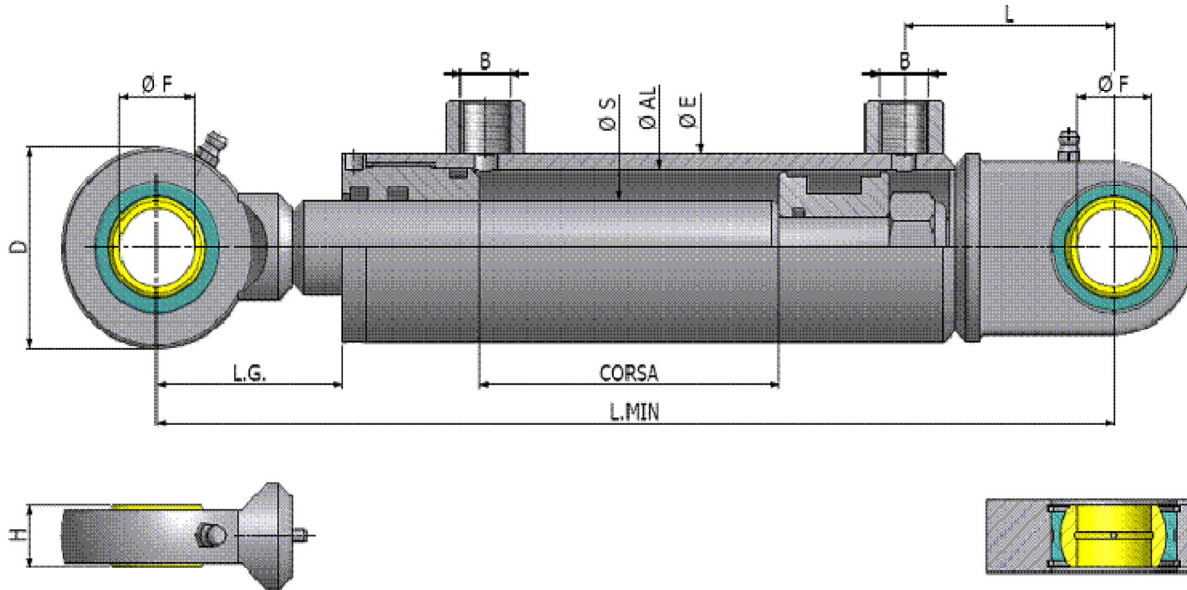


PRISLISTE - SYLINDERE MED INA LAGRE

2023



www.hydramek.no



Max. Arbeidstrykk : 220 Bar
 Max. Peak trykk : 300 Bar
 Primer tykkelse : 50 µ

Varekode	Type	Ø E	Ø AL	Ø S	Slaglengde/Corsa	L. min	L.G.	Ø F (h11)	Ø D	H	B	L	Br. Pris
NF3220050I17I17	32x20x 50	42	32	20	50	220	51	17	46	14	3/8"	53	2.222,-
NF3220100I17I17	32x20x100				100	275							2.700,-
NF3220150I17I17	32x20x150				150	325							2.736,-
NF3220200I17I17	32x20x200				200	375							2.520,-
NF3220300I17I17	32x20x300				300	475							2.528,-
NF4025100I20I20	40x25x100	50	40	25	100	310	75	20	53	16	3/8"	63	2.924,-
NF4025150I20I20	40x25x150				150	360							2.846,-
NF4025200I20I20	40x25x200				200	410							2.875,-
NF4025250I20I20	40x25x250				250	460							2.887,-
NF4025300I20I20	40x25x300				300	510							3.036,-
NF4025400I20I20	40x25x400				400	610							3.250,-
NF4025500I20I20	40x25x500				500	710							3.408,-
NF4025600I20I20	40x25x600				600	810							3.642,-
NF4025700I20I20	40x25x700				700	910							3.860,-
NF40251000I20I20	40x25x1000				1000	1210							7.144,-

Skyv kraft 180 bar	Trekk kraft 180 bar
1440 kg	882 kg
2250 kg	1368 kg

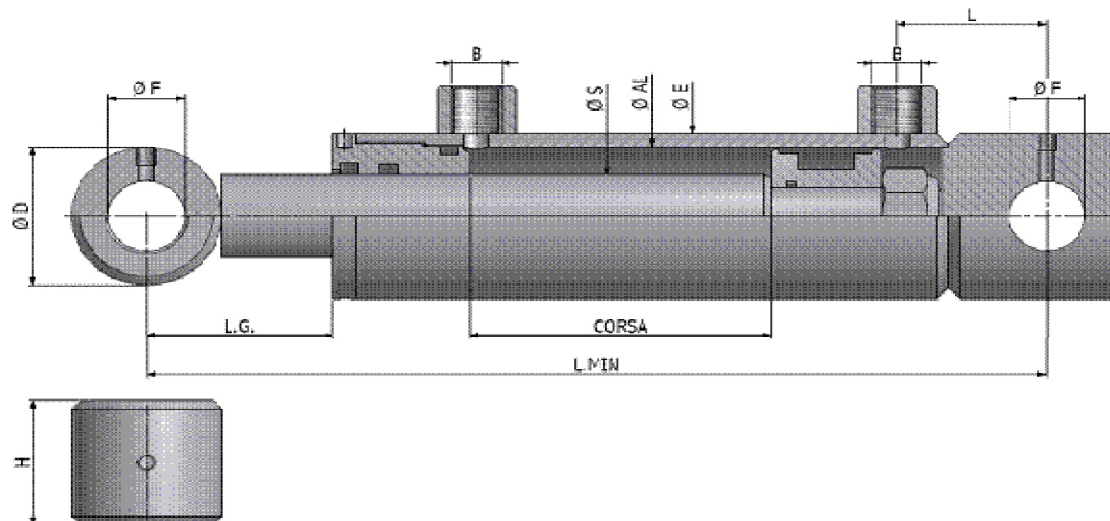
Varekode	Type	Ø E	Ø AL	Ø S	Slaglengde/Corsa	L. min	L.G.	Ø F (h11)	Ø D	H	B	L	Br. Pris	Skyv	Trekk
NF5030100I25I25	50x30x100	60	50	30	100	342	87	25	64	20	3/8"	72	3.580,-	3528	2250
NF5030200I25I25	50x30x200				200	442							3.926,-		
NF5030300I25I25	50x30x300				300	542							4.038,-		
NF5030400I25I25	50x30x400				400	642							4.780,-		
NF5030500I25I25	50x30x500				500	742							4.006,-		
NF5030600I25I25	50x30x600				600	842							4.713,-		
NF5030700I25I25	50x30x700				700	942							4.204,-		
NF5030800I25I25	50x30x800				800	1042							6.476,-		
NF6030200I30I30	60x30x200	70	60	30	200	465	63	30	73	22	3/8"	83	4.910,-	5076	3815
NF6030300I30I30	60x30x300				300	565							4.418,-		
NF6030400I30I30	60x30x400				400	665							5.085,-		
NF6030500I30I30	60x30x500				500	765							5.921,-		
NF6030600I30I30	60x30x600				600	865							5.308,-		
NF6030700I30I30	60x30x700				700	965							5.470,-		
NF7040200I35I35	70x40x200	80	70	40	200	490	92	35	82	25	3/8"	88	4.655,-	6912	4662
NF7040300I35I35	70x40x300				300	590							6.117,-		
NF7040350I35I35	70x40x350				350	640							5.514,-		
NF7040400I35I35	70x40x400				400	690							6.177,-		
NF7040500I35I35	70x40x500				500	790							5.572,-		
NF7040600I35I35	70x40x600				600	890							5.663,-		
NF7040700I35I35	70x40x700				700	990							5.919,-		
NF7040800I35I35	70x40x800				800	1090							6.170,-		
NF8040200I35I35	80x40x200	92	80	40	200	490	82	35	82	25	3/8"	88	5.366,-	9036	6786
NF8040250I35I35	80x40x250				250	540							5.495,-		
NF8040300I35I35	80x40x300				300	590							5.843,-		
NF8040400I35I35	80x40x400				400	690							6.858,-		
NF8040500I35I35	80x40x500				500	790							7.361,-		
NF8040600I35I35	80x40x600				600	890							7.497,-		
NF8040700I35I35	80x40x700				700	990							8.501,-		
NF9050300I40I40	90x50x300				102	90							50		
NF9050400I40I40	90x50x400	400	700	7.905,-											
NF9050500I40I40	90x50x500	500	800	7.828,-											
NF10050300I40I40	100x50x300	112	100	50	300	600	96	40	92	28	1/2"	100	10.435,-	14130	10600
NF10050400I40I40	100x50x400				400	700							14.838,-		
NF10050500I40I40	100x50x500				500	800							11.449,-		
NF10050600I40I40	100x50x600				600	900							12.134,-		
NF10050700I40I40	100x50x700				700	1000							12.823,-		

PRISLISTE - SYLINDERE MED FASTE ØYER

2023



www.hydramek.no



Max. Arbeidstrykk : 220 Bar

Max. Peak trykk : 300 Bar

Primer tykkelse : 50 µ

Skyv kraft 180 bar kg	Trekk kraft 180 bar kg
1440	882
2250	1368
3528	2250
5076	3815
9036	6786

Varekode	Type	Ø E	Ø AL	Ø S	Slaglengde/Corsa	L. min	L.G.	Ø F (h11)	Ø D	H	B	L	Br. Pris
NF3220050F16F16	32x20x050	42	32	20	50	205	54	16,25	30	35	1/4"	32	1.656,-
NF3220100F16F16	32x20x100				100	255							1.954,-
NF3220150F16F16	32x20x150				150	305							2.019,-
NF3220200F16F16	32x20x200				200	355							2.261,-
NF3220400F16F16	32x20x400				400	555							2.742,-
NF4025100F20F20	40x25x100	50	40	25	100	270	57	20,25	40	40	3/8"	40	1.852,-
NF4025150F20F20	40x25x150				150	320							2.255,-
NF4025200F20F20	40x25x200				200	370							3.064,-
NF4025250F20F20	40x25x250				250	420							2.302,-
NF4025300F20F20	40x25x300				300	470							2.429,-
NF4025350F20F20	40x25x350				350	520							2.409,-
NF4025400F20F20	40x25x400				400	570							2.454,-
NF4025500F20F20	40x25x500				500	670							3.657,-
NF4025600F20F20	40x25x600				600	770							2.600,-
NF5030100F25F25	50x30x100				60	50							30
NF5030200F25F25	50x30x200	200	400	2.586,-									
NF5030300F25F25	50x30x300	300	500	2.903,-									
NF5030400F25F25	50x30x400	400	600	3.529,-									
NF5030500F25F25	50x30x500	500	700	2.992,-									
NF5030600F25F25	50x30x600	600	800	3.341,-									
NF5030700F25F25	50x30x700	700	900	3.321,-									
NF6030400F25F25	60x30x400	70	60	30	400	600	63	25,5	50	45	3/8"	43	3.379,-
NF6030700F25F25	60x30x700				700	900							3.807,-
NF8040400F30F30	80x40x400	92	80	40	400	610	44	30,5	50	55	3/8"	45	5.769,-

Sylindere 3/4

H01

Andre sylindere

Sensor sylindere

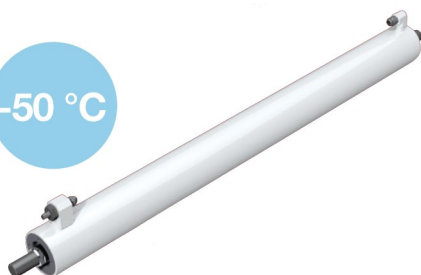
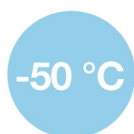
Gir deg eksakt posisjon på utslaget av sylinderen



Varekode	Type	Utv. Diam. Ø E	Innv. Diam. Ø AL	Stempelstang Ø S	Slaglengde mm	L. min mm	Innfestn. INA mm	Tilkopl. B	Br. Pris
NFS6340200I35I35	63x40x200	73	63	40	200	400	35	3/8"	Spør oss
NFS6340300I35I35	300				500	Spør oss			
NFS6340400I35I35	400				600	Spør oss			
NFS6340500I35I35	500				700	Spør oss			
NFS7040200I35I35	70x40x200	80	70	40	200	400	35	3/8"	Spør oss
NFS7040300I35I35	300				500	Spør oss			
NFS7040400I35I35	400				600	Spør oss			
NFS7040500I35I35	500				700	Spør oss			
NFS8040200I35I35	80x40x200	90	80	40	200	410	35	3/8"	Spør oss
NFS8040300I35I35	300				510	Spør oss			
NFS8040400I35I35	400				610	Spør oss			
NFS8040500I35I35	500				710	Spør oss			
NFS9040200I40I40	90x40x200	102	90	40	200	410	40	3/8"	Spør oss
NFS9040300I40I40	300				510	Spør oss			
NFS9040400I40I40	400				610	Spør oss			
NFS9040500I40I40	500				710	Spør oss			
NFS10050200I40I40	100x50x200	115	100	50	200	420	40	1/2"	Spør oss
NFS10050300I40I40	300				520	Spør oss			
NFS10050400I40I40	400				620	Spør oss			
NFS10050500I40I40	500				720	Spør oss			
NFS11050200I40I40	110x50x200	125	110	50	200	420	40	1/2"	Spør oss
NFS11050300I40I40	300				520	Spør oss			
NFS11050400I40I40	400				620	Spør oss			
NFS11050500I40I40	500				720	Spør oss			

Ice sylindere

Sylinder for ekstreme temperaturer. Utstyrt med et spesielt pakningssett som gjør at den tåler temperaturer ned til -50 grader.



Spesial sylindere

Vi kan levere spesialtilpassede sylindere til de fleste formål. Spesiell lakkering, rustfrie stempelstenger, komplette rustfrie sylindere, flenser, med endedemping mm.

