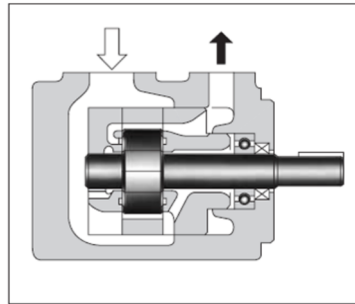


# Hydraulikkpumper

## Vingepumper



F-	PV2R1	-6	-F	-R	A	A	-42
Spesial pakninger	Type	Nominelt deplasement ccm/omdr.	Montasje måte	Rotasjons retning	Trykkport plassering	Sugeport plassering	Design nummer
F: For Fosfatester (Utelatt for mineralolje)	PV2R1	6,8,10,12,14, 17,19,23,25,31	F: Flens Montering	Sett fra front av aksel			42
	PV2R2	41,47,53, 59,65		R: Høyre (Standard)	A: Opp (Klokken 12) Standard	A: Opp (Klokken 12) Standard	41
	PV2R3	76,94,116	L: Fotmontering				31
	PV2R4	136,153,184, 200,237		L: Venstre			

Model Nummer	Geo - metrisk deplasement ccm/	Maks. Arbeidstrykk Bar						Turtall Omdr./minutt	
		Petroleum Baserte Oljer		Vannbaserte Væsker			Syntetisk	Max.	Min.
		Anti-Slitasje Tilsetning	Anti Rust/ Oksydasjon	Anti-Slitasje	Vann-Glykol	Vann i Olje-emulsjon	Fosfatester		
PV2R1-6	5,8	210*	160	160	70	70	160	1800 *	750 * (Sjekk for viskositet ved oppstart og lav temp.)
PV2R1-8	8,0	210							
PV2R1-10	9,4								
PV2R1-12	12,2								
PV2R1-14	13,7								
PV2R1-17	16,6								
PV2R1-19	18,6								
PV2R1-23	22,7								
PV2R1-25	25,3								
PV2R1-31	31,0								
PV2R2-41	41,3	210	140	160	70	70	140	1800 *	600 *
PV2R2-47	47,2								
PV2R2-53	52,5								
PV2R2-59	58,2								
PV2R2-65	64,7								
PV2R3-76	76,4	210	140	160	70	70	140	1800 *	600 *
PV2R3-94	93,6								
PV2R3-116	115,6								
PV2R4-136	136	175	140	150	70	70	140	1800 *	600 *
PV2R4-153	153								
PV2R4-184	184								
PV2R4-201	200								
PV2R4-237	237								

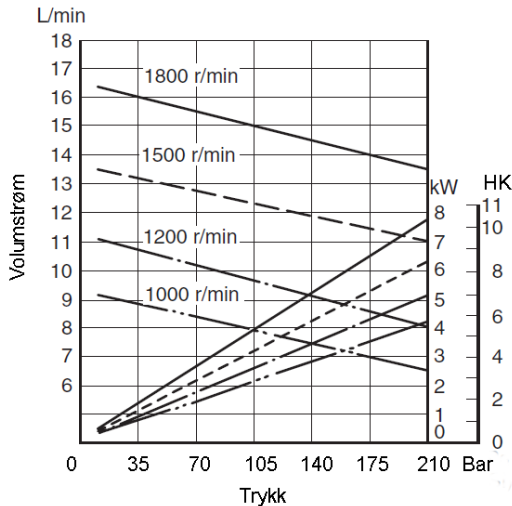
# Hydraulikkpumper

## Vingepumper

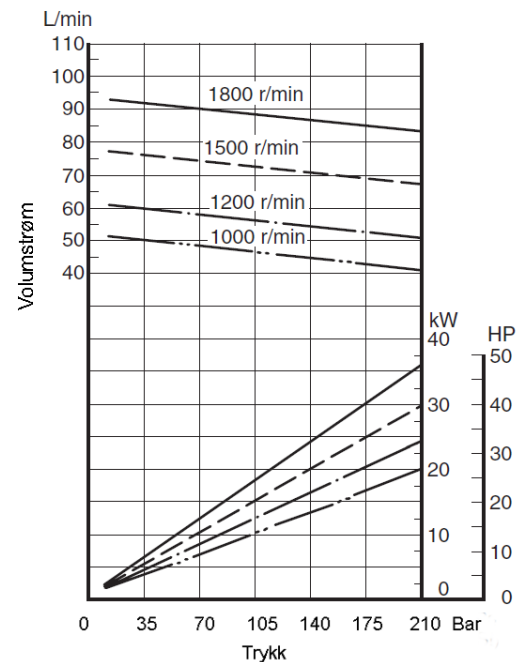
Typisk effektbehov for vingepumper. For mer informasjon og andre størrelser vennligst ta kontakt.



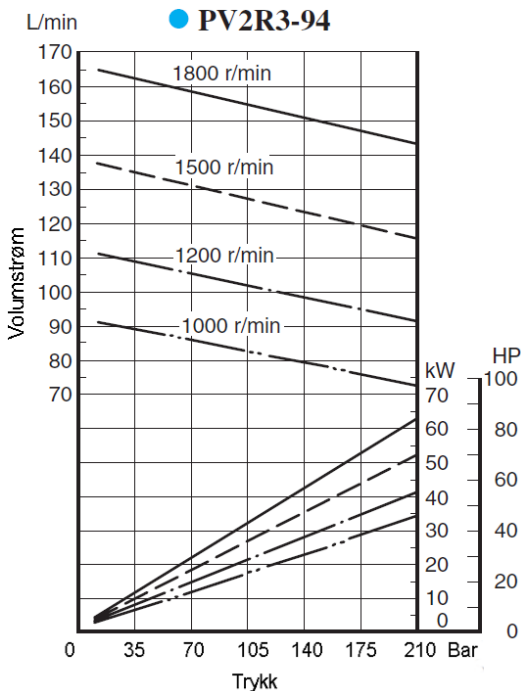
● PV2R1-10



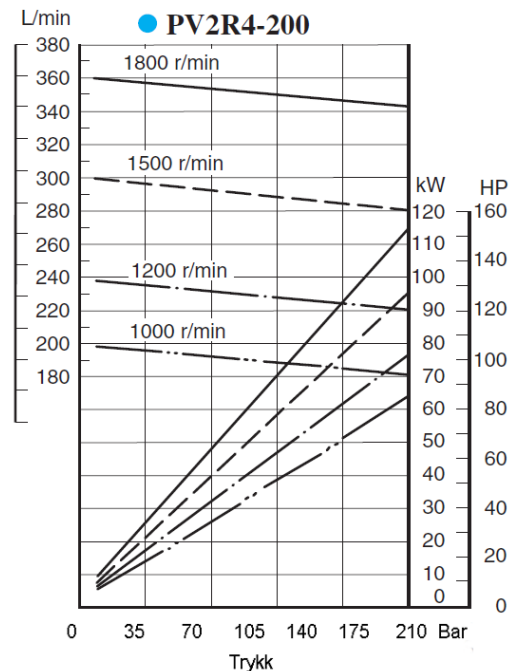
● PV2R2-53



● PV2R3-94



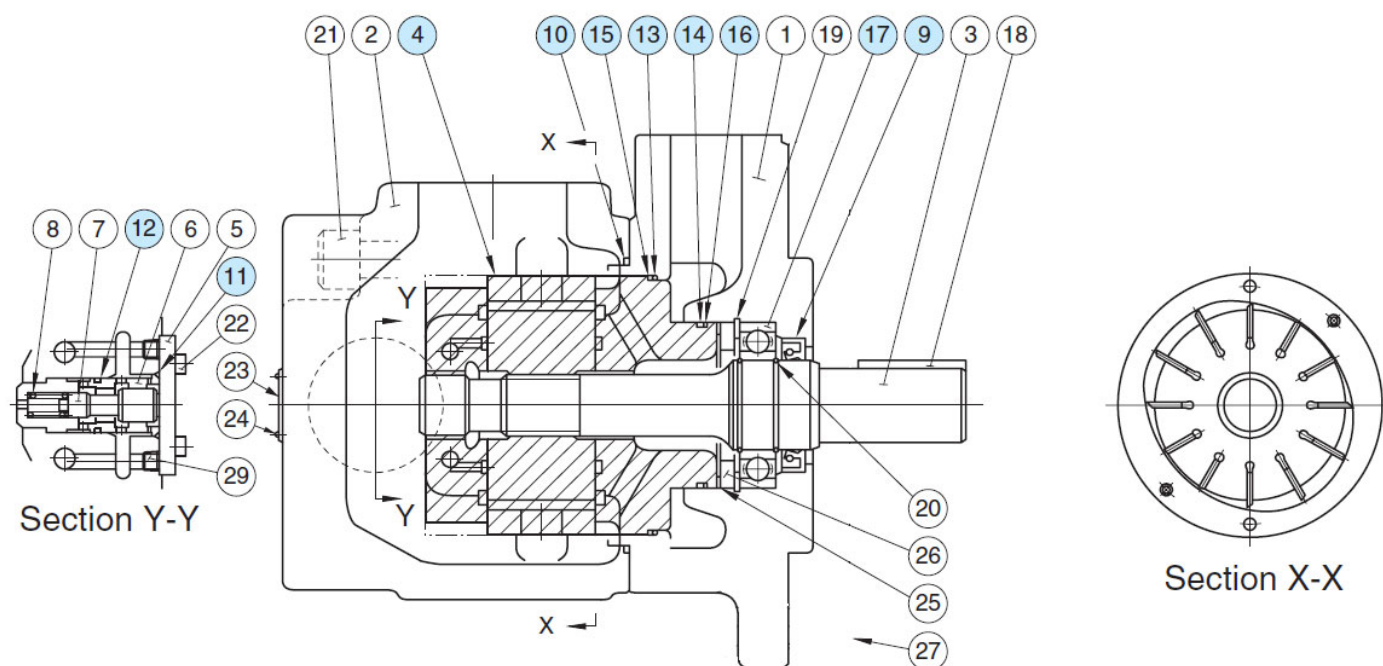
● PV2R4-200



Pumpe Betegnelse	Pakning Sett	Vareno.	Pris	Lager	Vareno.	Pris
PV2R1 - * - * - RAA - 42	KS - PV2R1 - 40	YU07200	x	TK280051-4	YU07204	x
PV2R2 - * - * - RAA - 41	KS - PV2R2 - 40	YU07201	x	TK180100-0	YU07205	x
PV2R3 - * - * - RAA - 31	KS - PV2R3 - 30	YU07202	x	TK180028-3	YU07206	x
PV2R4 - * - * - RAA - 30	KS - PV2R4 - 30	YU07203	x	TK180026-7	YU07207	x

# Hydraulikkpumper

## Vingepumper



Pumpe Betegnelse	Varenr.	Pris	Pumpe Cartridge	Varenr.	Pris
PV2R1 - 6 - F - RAA - 42	YU07001	11.324,-	CPV2R1 - 6 - R - R - 42	YU07101	x
PV2R1 - 8 - F - RAA - 42	YU07003	x	CPV2R1 - 8 - R - R - 42	YU07102	x
PV2R1 - 10 - F - RAA - 42	YU07004	x	CPV2R1 - 10 - R - R - 42	YU07103	x
PV2R1 - 12 - F - RAA - 42	YU07005	x	CPV2R1 - 12 - R - R - 42	YU07104	x
PV2R1 - 14 - F - RAA - 42	YU07006	x	CPV2R1 - 14 - R - R - 42	YU07105	x
PV2R1 - 17 - F - RAA - 42	YU07007	x	CPV2R1 - 17 - R - R - 42	YU07106	x
PV2R1 - 19 - F - RAA - 42	YU07008	x	CPV2R1 - 19 - R - R - 42	YU07107	x
PV2R1 - 23 - F - RAA - 42	YU07009	x	CPV2R1 - 23 - R - R - 42	YU07108	x
PV2R1 - 25 - F - RAA - 42	YU07010	x	CPV2R1 - 25 - R - R - 42	YU07109	x
PV2R1 - 31 - F - RAA - 42	YU07011	x	CPV2R1 - 31 - R - R - 42	YU07110	x
PV2R2 - 41 - F - RAA - 41	YU07012	x	CPV2R2 - 41 - R - R - 41	YU07111	x
PV2R2 - 47 - F - RAA - 41	YU07013	x	CPV2R2 - 47 - R - R - 41	YU07112	x
PV2R2 - 53 - F - RAA - 41	YU07002	x	CPV2R2 - 53 - R - R - 41	YU07113	x
PV2R2 - 59 - F - RAA - 41	YU07014	x	CPV2R2 - 59 - R - R - 41	YU07114	x
PV2R2 - 65 - F - RAA - 41	YU07015	x	CPV2R2 - 65 - R - R - 41	YU07115	x
PV2R3 - 76 - F - RAA - 31	YU07016	x	CPV2R3 - 76 - R - R - 31	YU07116	x
PV2R3 - 94 - F - RAA - 31	YU07017	x	CPV2R3 - 94 - R - R - 31	YU07117	x
PV2R3 - 116 - F - RAA - 31	YU07018	x	CPV2R3 - 116 - R - R - 31	YU07118	x
PV2R4 - 136 - F - RAA - 30	YU07019	x	CPV2R4 - 136 - R - R - 30	YU07119	x
PV2R4 - 153 - F - RAA - 30	YU07020	x	CPV2R4 - 153 - R - R - 30	YU07120	x
PV2R4 - 184 - F - RAA - 30	YU07021	x	CPV2R4 - 184 - R - R - 30	YU07121	x
PV2R4 - 201 - F - RAA - 30	YU07022	x	CPV2R4 - 201 - R - R - 30	YU07122	x
PV2R4 - 237 - F - RAA - 30	YU07023	x	CPV2R4 - 237 - R - R - 30	YU07123	x