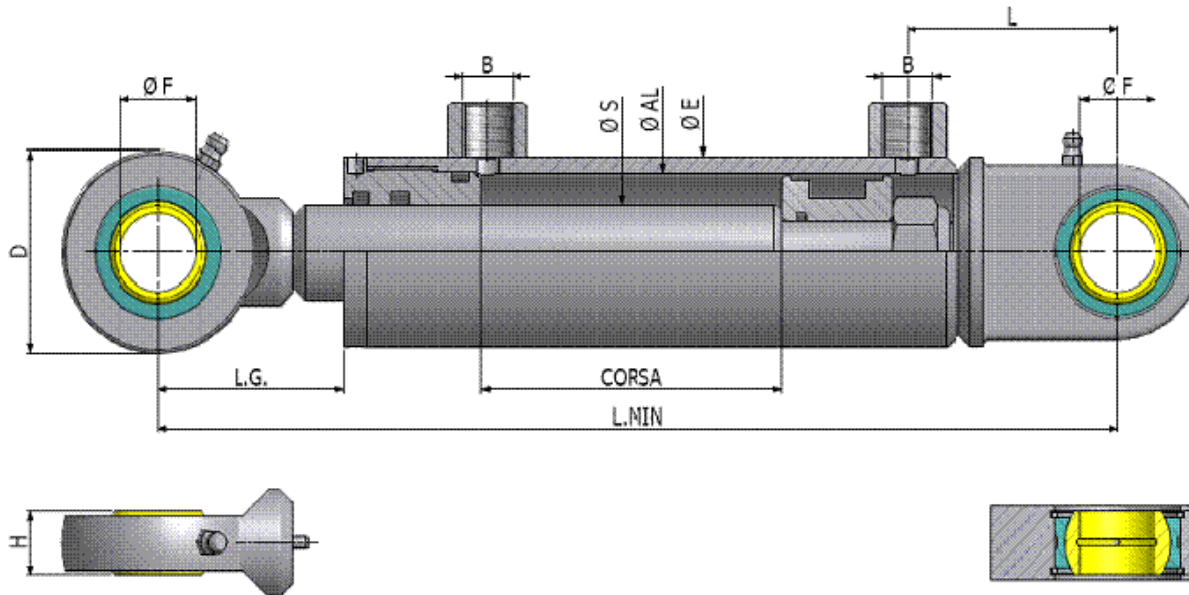


PRISLISTE - SYLINDERE MED INA LAGRE

2022



www.hydramek.no



Max. Arbeidstrykk : 220 Bar
 Max. Peak trykk : 300 Bar
 Primer tykkelse : 50 µ

Varekode	Type	Ø E	Ø AL	Ø S	Slaglengde/Corsa	L. min	L.G.	Ø F (h11)	Ø D	H	B	L	Br. Pris
NF3220050I17I17	32x20x 50	42	32	20	50	220	51	17	46	14	3/8"	53	1.984,-
NF3220100I17I17	32x20x100				100	275							1.984,-
NF3220150I17I17	32x20x150				150	325							2.241,-
NF3220200I17I17	32x20x200				200	375							2.250,-
NF3220300I17I17	32x20x300				300	475							2.257,-
NF4025100I20I20	40x25x100	50	40	25	100	310	75	20	53	16	3/8"	63	2.611,-
NF4025150I20I20	40x25x150				150	360							2.541,-
NF4025200I20I20	40x25x200				200	410							2.567,-
NF4025250I20I20	40x25x250				250	460							2.578,-
NF4025300I20I20	40x25x300				300	510							2.711,-
NF4025400I20I20	40x25x400				400	610							2.902,-
NF4025500I20I20	40x25x500				500	710							3.043,-
NF4025600I20I20	40x25x600				600	810							3.252,-
NF4025700I20I20	40x25x700				700	910							3.446,-
NF40251000I20I20	40x25x1000				1000	1210							5.148,-

Skyv kraft 180 bar	Trekk kraft 180 bar
1440 kg	882 kg
2250 kg	1368 kg

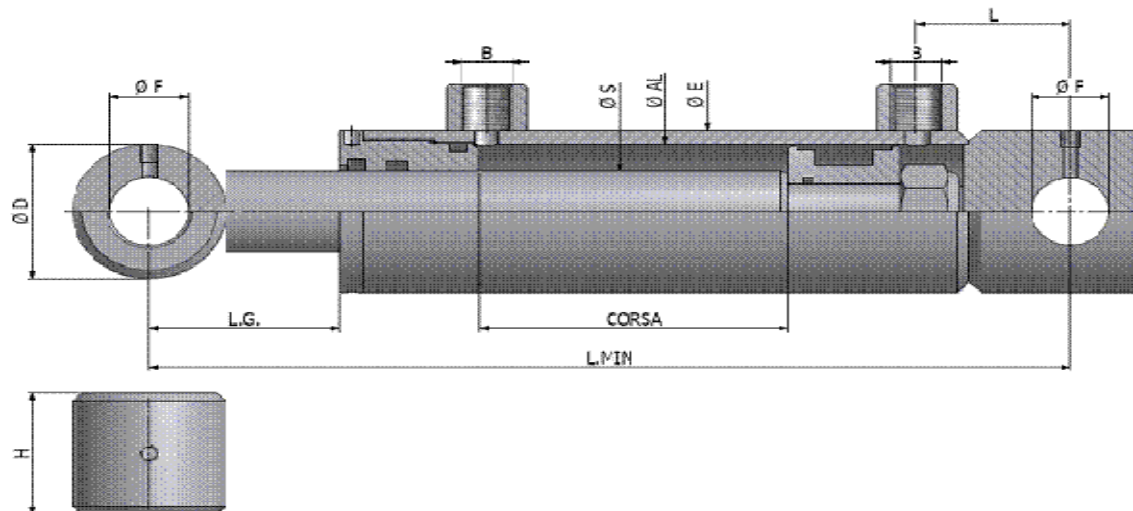
Varekode	Type	Ø E	Ø AL	Ø S	Slaglengde/Corsa	L. min	L.G.	Ø F (h11)	Ø D	H	B	L	Br. Pris	Skyv	Trekk
NF5030100I25I25	50x30x100	60	50	30	100	342	87	25	64	20	3/8"	72	3.196,-	3528	2250
NF5030200I25I25	50x30x200				200	442							3.505,-		
NF5030300I25I25	50x30x300				300	542							3.314,-		
NF5030400I25I25	50x30x400				400	642							4.160,-		
NF5030500I25I25	50x30x500				500	742							3.577,-		
NF5030600I25I25	50x30x600				600	842							3.682,-		
NF5030700I25I25	50x30x700				700	942							3.754,-		
NF5030800I25I25	50x30x800				800	1042							5.782,-		
NF6030200I30I30	60x30x200	70	60	30	200	465	63	30	73	22	3/8"	83	4.384,-	5076	3815
NF6030300I30I30	60x30x300				300	565							3.945,-		
NF6030400I30I30	60x30x400				400	665							4.540,-		
NF6030500I30I30	60x30x500				500	765							4.690,-		
NF6030600I30I30	60x30x600				600	865							4.739,-		
NF6030700I30I30	60x30x700				700	965							4.884,-		
NF7040200I35I35	70x40x200	80	70	40	200	490	92	35	82	25	3/8"	88	4.156,-	6912	4662
NF7040300I35I35	70x40x300				300	590							5.462,-		
NF7040350I35I35	70x40x350				350	640							4.923,-		
NF7040400I35I35	70x40x400				400	690							4.930,-		
NF7040500I35I35	70x40x500				500	790							4.975,-		
NF7040600I35I35	70x40x600				600	890							5.056,-		
NF7040700I35I35	70x40x700				700	990							5.285,-		
NF7040800I35I35	70x40x800				800	1090							5.509,-		
NF8040200I35I35	80x40x200	92	80	40	200	490	82	35	82	25	3/8"	88	4.791,-	9036	6786
NF8040250I35I35	80x40x250				250	540							4.906,-		
NF8040300I35I35	80x40x300				300	590							5.217,-		
NF8040400I35I35	80x40x400				400	690							6.123,-		
NF8040500I35I35	80x40x500				500	790							6.572,-		
NF8040600I35I35	80x40x600				600	890							6.694,-		
NF8040700I35I35	80x40x700				700	990							7.202,-		
NF9050300I40I40	90x50x300	102	90	50	300	600	96	40	92	28	1/2"	100	6.415,-	11448	7902
NF9050400I40I40	90x50x400				400	700							7.058,-		
NF9050500I40I40	90x50x500				500	800							6.989,-		
NF10050300I40I40	100x50x300	112	100	50	300	600	96	40	92	28	1/2"	100	9.317,-	14130	10600
NF10050400I40I40	100x50x400				400	700							13.248,-		
NF10050500I40I40	100x50x500				500	800							10.222,-		
NF10050600I40I40	100x50x600				600	900							10.834,-		
NF10050700I40I40	100x50x700				700	1000							11.449,-		

PRISLISTE - SYLINDERE MED FASTE ØYER

2022



www.hydramek.no



Max. Arbeidstrykk : 220 Bar
 Max. Peak trykk : 300 Bar
 Primer tykkelse : 50 µ

Skyv kraft 180 bar kg	Trekk kraft 180 bar kg
1440	882
2250	1368
3528	2250
5076	3815
9036	6786

Varekode	Type	Ø E	Ø AL	Ø S	Slaglengde/Corsa	L. min	L.G.	Ø F (h11)	Ø D	H	B	L	Br. Pris
NF3220050F16F16	32x20x050	42	32	20	50	205	54	16,25	30	35	1/4"	32	1.479,-
NF3220100F16F16	100				255	1.745,-							
NF3220150F16F16	150				305	1.803,-							
NF3220200F16F16	200				355	1.666,-							
NF3220400F16F16	400				555	2.448,-							
NF4025100F20F20	40x25x100	50	40	25	100	270	57	20,25	40	40	3/8"	40	1.654,-
NF4025150F20F20	150				320	2.013,-							
NF4025200F20F20	200				370	1.995,-							
NF4025250F20F20	250				420	2.055,-							
NF4025300F20F20	300				470	2.169,-							
NF4025350F20F20	350				520	2.151,-							
NF4025400F20F20	400				570	2.191,-							
NF4025500F20F20	500				670	2.284,-							
NF4025600F20F20	600				770	2.321,-							
NF5030100F25F25	50x30x100				60	50							30
NF5030200F25F25	200	400	2.309,-										
NF5030300F25F25	300	500	2.592,-										
NF5030400F25F25	400	600	2.670,-										
NF5030500F25F25	500	700	2.671,-										
NF5030600F25F25	600	800	2.983,-										
NF5030700F25F25	700	900	2.965,-										
NF6030400F25F25	60x30x400	70	60	30	400	600	63	25,5	50	45	3/8"	43	3.017,-
NF6030700F25F25	700				900	3.399,-							
NF8040400F30F30	80x40x400	92	80	40	400	610	82	30	82	45	3/8"	88	5.151,-

Sylindere 3/4

H01

Andre sylindere

Sensor sylindere

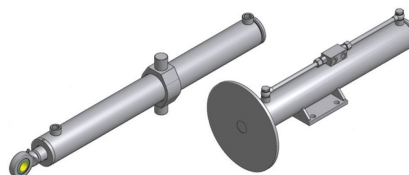
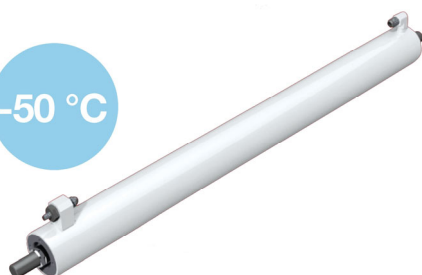
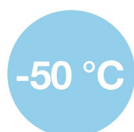
Gir deg eksakt posisjon på utslaget av sylindere



Varekode	Type	Utv. Diam. Ø E	Innv. Diam. Ø AL	Stempelstang Ø S	Slaglengde mm	L. min mm	Innfestn. INA mm	Tilkopl. B	Br. Pris
NFS6340200I35I35	63x40x200	73	63	40	200	400	35	3/8"	15.341,-
NFS6340300I35I35	63x40x300				300	500			17.933,-
NFS6340400I35I35	63x40x400				400	600			20.510,-
NFS6340500I35I35	63x40x500				500	700			23.123,-
NFS7040200I35I35	70x40x200	80	70	40	200	400	35	3/8"	16.473,-
NFS7040300I35I35	70x40x300				300	500			19.072,-
NFS7040400I35I35	70x40x400				400	600			21.661,-
NFS7040500I35I35	70x40x500				500	700			24.263,-
NFS8040200I35I35	80x40x200	90	80	40	200	410	35	3/8"	17.021,-
NFS8040300I35I35	80x40x300				300	510			19.600,-
NFS8040400I35I35	80x40x400				400	610			22.197,-
NFS8040500I35I35	80x40x500				500	710			24.825,-
NFS9040200I40I40	90x40x200	102	90	40	200	410	40	3/8"	17.359,-
NFS9040300I40I40	90x40x300				300	510			19.943,-
NFS9040400I40I40	90x40x400				400	610			22.554,-
NFS9040500I40I40	90x40x500				500	710			25.141,-
NFS10050200I40I40	100x50x200	115	100	50	200	420	40	1/2"	18.427,-
NFS10050300I40I40	100x50x300				300	520			21.023,-
NFS10050400I40I40	100x50x400				400	620			23.646,-
NFS10050500I40I40	100x50x500				500	720			26.180,-
NFS11050200I40I40	110x50x200	125	110	50	200	420	40	1/2"	19.275,-
NFS11050300I40I40	110x50x300				300	520			21.832,-
NFS11050400I40I40	110x50x400				400	620			24.456,-
NFS11050500I40I40	110x50x500				500	720			26.963,-

Ice sylindere

Sylinder for ekstreme temperaturer. Utstyrt med et spesielt pakningssett som gjør at den tåler temperaturer ned til -50 grader.



Spesial sylindere

Vi kan levere spesialtilpassede sylindere til de fleste formål. Spesiell lakkering, rustfrie stempelstenger, komplette rustfrie sylindere, flenser, med endedemping mm.