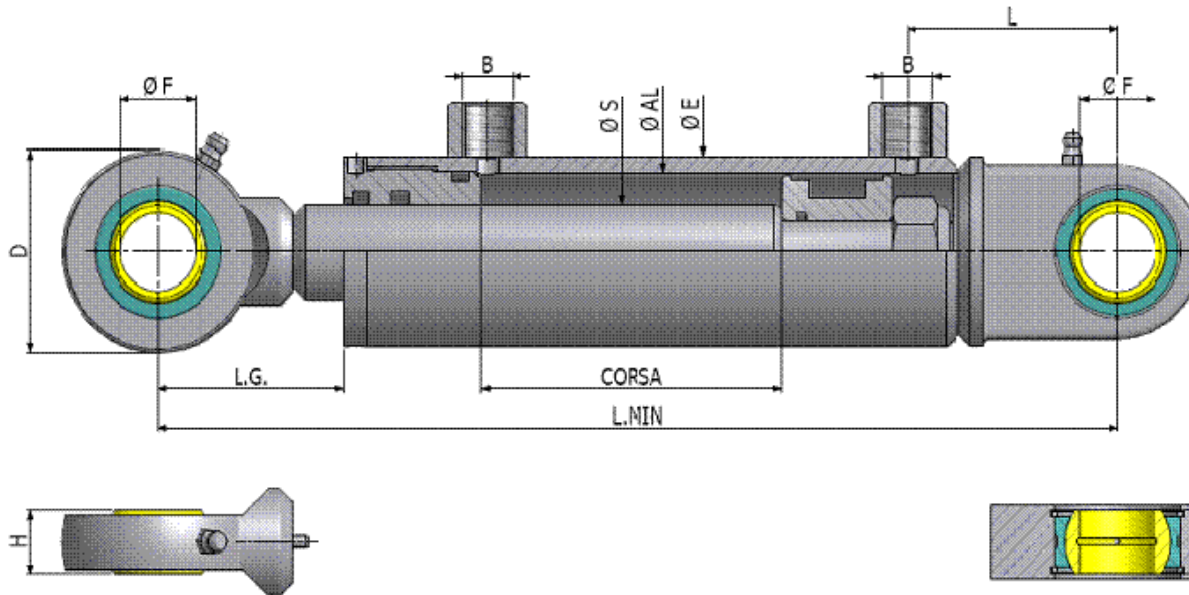


# PRISLISTE - SYLINDERE MED INA LAGRE

2021



[www.hydramek.no](http://www.hydramek.no)



Max. Arbeidstrykk : 220 Bar  
 Max. Peak trykk : 300 Bar  
 Primer tykkelse : 50 µ

Varekode	Type	Ø E	Ø AL	Ø S	Slaglengde/Corsa	L. min	L.G.	Ø F (h11)	Ø D	H	B	L	Br. Pris
NF3220100I17I17	32x20x100	42	32	20	100	275	51	17	46	14	3/8"	53	1.803,-
NF3220150I17I17	150				325	2.037,-							
NF3220200I17I17	200				375	2.009,-							
NF3220300I17I17	300				475	2.051,-							
NF4025100I20I20	40x25x100	50	40	25	100	310	75	20	53	16	3/8"	63	2.373,-
NF4025150I20I20	150				360	2.310,-							
NF4025200I20I20	200				410	2.333,-							
NF4025250I20I20	250				460	2.343,-							
NF4025300I20I20	300				510	2.511,-							
NF4025400I20I20	400				610	2.638,-							
NF4025500I20I20	500				710	2.766,-							
NF4025600I20I20	600				810	2.956,-							
NF4025700I20I20	700				910	3.132,-							
NF40251000I20I20	1000				1210	4.680,-							

Skyv kraft 180 bar	Trekk kraft 180 bar
1440 kg	882 kg
2250 kg	1368 kg

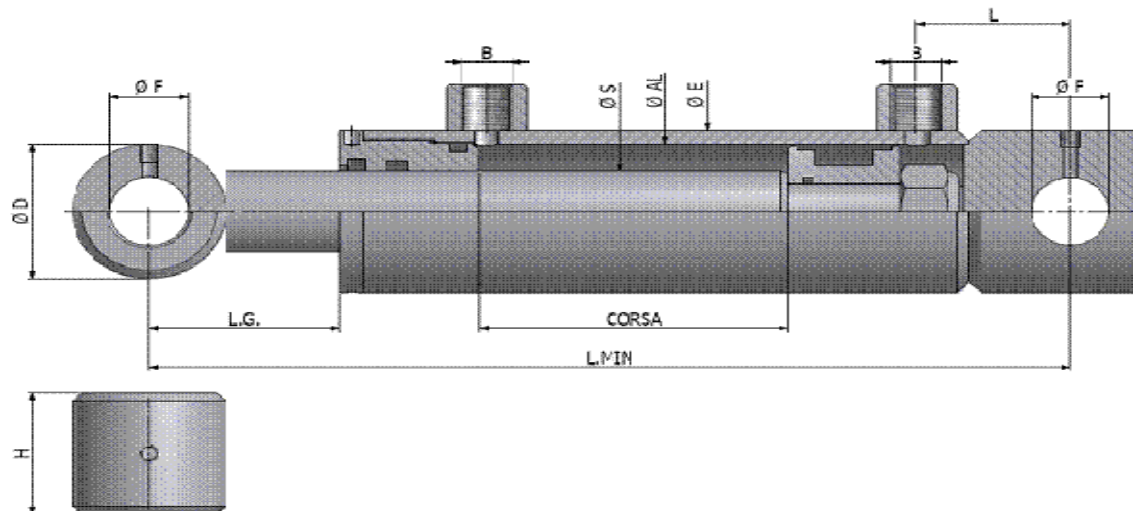
Varekode	Type	Ø E	Ø AL	Ø S	Slaglengde/Corsa	L. min	L.G.	Ø F (h11)	Ø D	H	B	L	Br. Pris	Skyv	Trekk
NF5030100I25I25	50x30x100	60	50	30	100	342	87	25	64	20	3/8"	72	2.678,-	3528	2250
NF5030200I25I25	50x30x200				200	442							3.186,-		
NF5030300I25I25	50x30x300				300	542							3.012,-		
NF5030400I25I25	50x30x400				400	642							3.280,-		
NF5030500I25I25	50x30x500				500	742							3.251,-		
NF5030600I25I25	50x30x600				600	842							3.347,-		
NF5030700I25I25	50x30x700				700	942							3.412,-		
NF5030800I25I25	50x30x800				800	1042							5.256,-		
NF6030200I30I30	60x30x200	70	60	30	200	465	63	30	73	22	3/8"	83	3.985,-	5076	3815
NF6030300I30I30	60x30x300				300	565							3.586,-		
NF6030400I30I30	60x30x400				400	665							3.703,-		
NF6030500I30I30	60x30x500				500	765							4.263,-		
NF6030600I30I30	60x30x600				600	865							4.308,-		
NF6030700I30I30	60x30x700				700	965							4.440,-		
NF7040200I35I35	70x40x200	80	70	40	200	490	92	35	82	25	3/8"	88	3.778,-	6912	4662
NF7040300I35I35	70x40x300				300	590							4.965,-		
NF7040350I35I35	70x40x350				350	640							4.475,-		
NF7040400I35I35	70x40x400				400	690							4.481,-		
NF7040500I35I35	70x40x500				500	790							4.522,-		
NF7040600I35I35	70x40x600				600	890							4.596,-		
NF7040700I35I35	70x40x700				700	990							4.804,-		
NF7040800I35I35	70x40x800				800	1090							5.008,-		
NF8040200I35I35	80x40x200	92	80	40	200	490	82	35	82	25	3/8"	88	4.355,-	9036	6786
NF8040250I35I35	80x40x250				250	540							4.460,-		
NF8040300I35I35	80x40x300				300	590							4.742,-		
NF8040400I35I35	80x40x400				400	690							5.496,-		
NF8040500I35I35	80x40x500				500	790							5.858,-		
NF8040600I35I35	80x40x600				600	890							6.085,-		
NF8040700I35I35	80x40x700				700	990							6.547,-		
NF9050300I40I40	90x50x300				102	90							50		
NF9050400I40I40	90x50x400	400	700	6.416,-											
NF9050500I40I40	90x50x500	500	800	6.353,-											
NF10050300I40I40	100x50x300	112	100	50	300	600	96	40	92	28	1/2"	100	8.470,-	14130	10600
NF10050400I40I40	100x50x400				400	700							12.043,-		
NF10050500I40I40	100x50x500				500	800							9.292,-		
NF10050600I40I40	100x50x600				600	900							9.849,-		
NF10050700I40I40	100x50x700				700	1000							10.408,-		

# PRISLISTE - SYLINDERE MED FASTE ØYER

2021



[www.hydramek.no](http://www.hydramek.no)



Max. Arbeidstrykk : 220 Bar

Max. Peak trykk : 300 Bar

Primer tykkelse : 50 µ

Varekode	Type	Ø E	Ø AL	Ø S	Slaglengde/Corsa	L. min	L.G.	Ø F (h11)	Ø D	H	B	L	Br. Pris
NF3220050F16F16	32x20x050	42	32	20	50	205	54	16,25	30	35	1/4"	32	1.344,-
NF3220100F16F16	100				255	1.586,-							
NF3220150F16F16	150				305	1.488,-							
NF3220200F16F16	200				355	1.514,-							
NF3220400F16F16	400				555	2.225,-							
NF4025100F20F20	40x25x100	50	40	25	100	270	57	20,25	40	40	3/8"	40	1.503,-
NF4025150F20F20	150				320	1.830,-							
NF4025200F20F20	200				370	1.813,-							
NF4025250F20F20	250				420	1.868,-							
NF4025300F20F20	300				470	1.971,-							
NF4025350F20F20	350				520	1.955,-							
NF4025400F20F20	400				570	1.991,-							
NF4025500F20F20	500				670	2.076,-							
NF4025600F20F20	600				770	2.110,-							
NF5030100F25F25	50x30x100				60	50							30
NF5030200F25F25	200	400	2.099,-										
NF5030300F25F25	300	500	2.356,-										
NF5030400F25F25	400	600	2.427,-										
NF5030500F25F25	500	700	2.428,-										
NF5030600F25F25	600	800	2.711,-										
NF5030700F25F25	700	900	2.695,-										
NF6030400F25F25	60x30x400	70	60	30	400	600	63	25,5	50	45	3/8"	43	2.742,-
NF6030700F25F25	700				900	3.090,-							

Skyv kraft 180 bar kg	Trekk kraft 180 bar kg
1440	882
2250	1368
3528	2250
5076	3815

## Andre sylindere

## Sensor sylindere

Gir deg eksakt posisjon på utslaget av sylindere



Varekode	Type	Utv. Diam. Ø E	Innv. Diam. Ø AL	Stempelstang Ø S	Slaglengde mm	L. min mm	Innfestn. INA mm	Tilkopl. B	Br. Pris
NFS6340200I35I35	63x40x200	73	63	40	200	400	35	3/8"	13.946,-
NFS6340300I35I35	63x40x300				300	500			16.303,-
NFS6340400I35I35	63x40x400				400	600			18.645,-
NFS6340500I35I35	63x40x500				500	700			21.021,-
NFS7040200I35I35	70x40x200	80	70	40	200	400	35	3/8"	14.975,-
NFS7040300I35I35	70x40x300				300	500			17.338,-
NFS7040400I35I35	70x40x400				400	600			19.692,-
NFS7040500I35I35	70x40x500				500	700			22.057,-
NFS8040200I35I35	80x40x200	90	80	40	200	410	35	3/8"	15.474,-
NFS8040300I35I35	80x40x300				300	510			17.818,-
NFS8040400I35I35	80x40x400				400	610			20.179,-
NFS8040500I35I35	80x40x500				500	710			22.568,-
NFS9040200I40I40	90x40x200	102	90	40	200	410	40	3/8"	15.781,-
NFS9040300I40I40	90x40x300				300	510			18.130,-
NFS9040400I40I40	90x40x400				400	610			20.504,-
NFS9040500I40I40	90x40x500				500	710			22.855,-
NFS10050200I40I40	100x50x200	115	100	50	200	420	40	1/2"	16.752,-
NFS10050300I40I40	100x50x300				300	520			19.112,-
NFS10050400I40I40	100x50x400				400	620			21.496,-
NFS10050500I40I40	100x50x500				500	720			23.800,-
NFS11050200I40I40	110x50x200	125	110	50	200	420	40	1/2"	17.523,-
NFS11050300I40I40	110x50x300				300	520			19.847,-
NFS11050400I40I40	110x50x400				400	620			22.233,-
NFS11050500I40I40	110x50x500				500	720			24.512,-

## Ice sylindere

Sylinder for ekstreme temperaturer. Utstyrt med et spesielt pakningssett som gjør at den tåler temperaturer ned til -50 grader.



## Spesial sylindere

Vi kan levere spesialtilpassede sylindere til de fleste formål. Spesiell lakkering, rustfrie stempelstenger, komplette rustfrie sylindere, flenser, med endedemping mm.

